

EW1511

SPECIFICATION SHEET

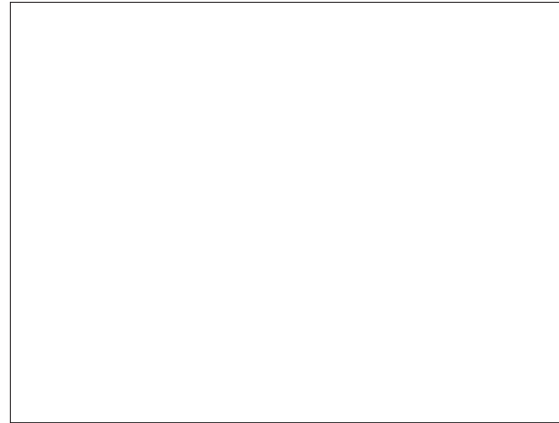
PROJECT		
DATE		TYPE

High power exterior rated surface mount for safety and architectural illumination

- Wet location listed
- Die-cast aluminum housing
- Powder coated finishes
- Dimmable with ELV dimmer (Not included)
- 120V

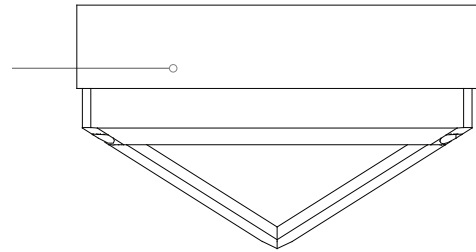
Color Temp 3000K
 CRI (Ra) >80
 Dimming 100% - 10%
 Rated Life 50,000 hours

Distribution	Voltage	Watt	LED Lumens	Delivered Lumens	Finish(es)
Down or Out	120V	20W	1600	500*	BK / GY



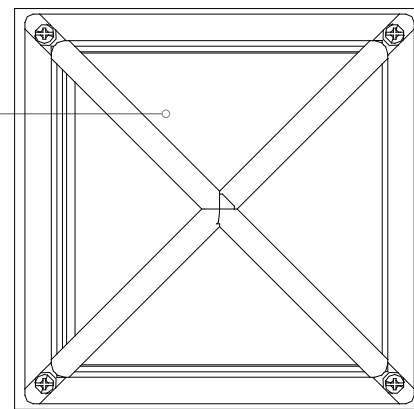
EW1508-BK

Powder Coat Finish
 BK - Black
 GY - Grey



5-1/4"

White Acrylic
 Diffuser



10-5/8"

10-5/8"

*Subject to testing confirmation



EW1508-BK



EW1508-GY